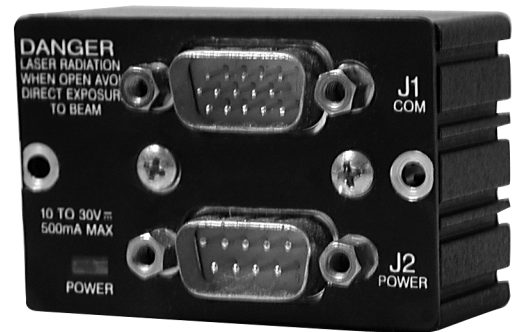


- Converts 10 to 30 VDC input voltage to 5 VDC
- Attaches directly to the V550-A20 series scanners
- Eliminates the need for one power source for each scanner
- Separate DB9 connector for power and triggering
- Remote enable/disable power



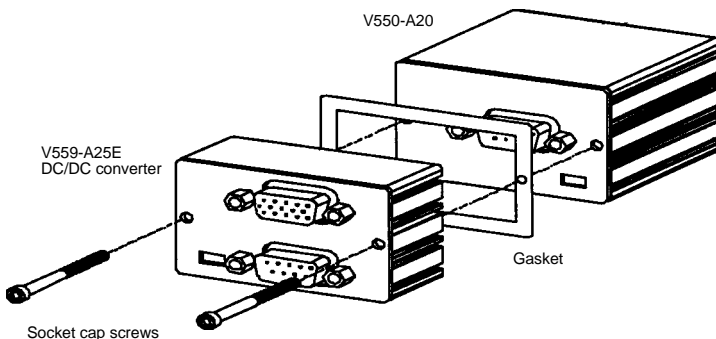
Ordering Information

■ 24 VDC/DC CONVERTER

Item	Description		Part number
DC/DC converter	Product Family	V550-A20	V559-A25E
	Interface	RS-232, RS-422 and RS-485	
	Connector (on unit)	15-pin female "D"	

Note: For more information on V550 series scanners, see the V550 data sheet in Omron's Knowledge Center at www.omron.com/oei.

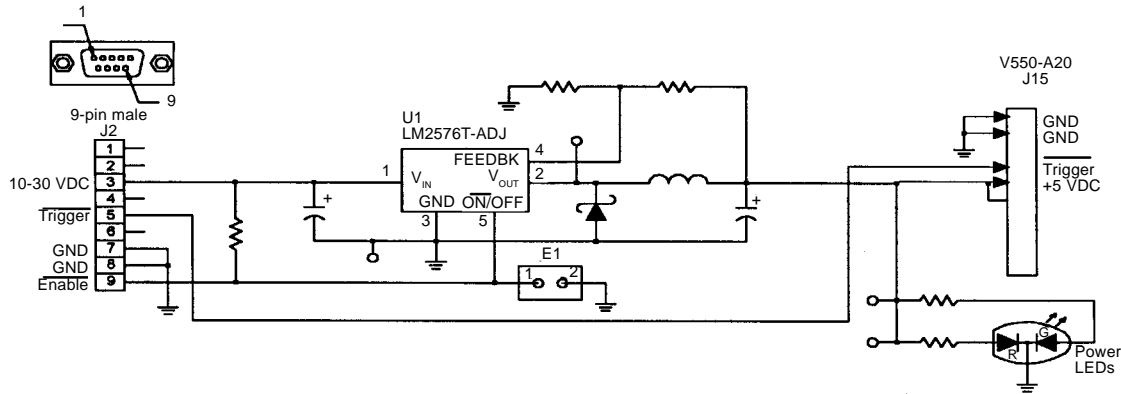
Installation



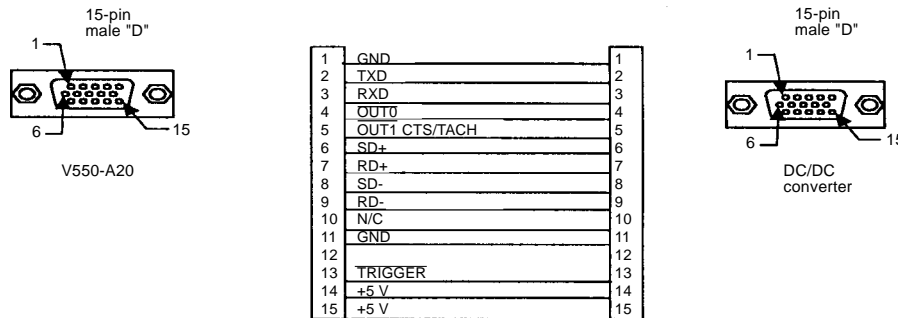
Follow the steps below to attach the DC/DC converter to your V550-A20 series scanner:

- Step 1: Remove the two black socket cap screws from the back panel of the V550-A20 scanner.
- Step 2: Place the DC/DC converter with the gasket between the two units on the back of the V550-A20. Make sure all the screw holes and the 15-pin connector on each of the units line up. Then press the units firmly together.
- Step 3: Place the long screws in the screw holes and turn them clockwise until tight.

The V550-A20 DC/DC converter has an input voltage range of 10 to 30 VDC at 500 mA max. The following shows the V500-A20 DC/DC converter schematic:



All of the original pins of the V550-A20 15-pin connector (J1) are passed through to the 9-pin connector (J1) of the DC/DC converter, except the analog test signal on pin 12. This is shown below:

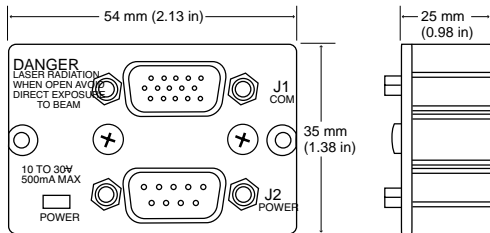


- Note:**
1. All connectors are shown from the soldering side.
 2. Once the DC/DC converter is properly attached to your V550-A20, there is one LED labeled POWER. This LED is illuminated when the V550-A20 has power. The LED on the back panel of the V550-A20 labeled STATUS still functions as described on Chapter One of your V550-A20 Operations Manual, section "How Your V550-A20 Scanning System Works." However, the STATUS LED is covered up by the DC/DC converter.

The DC/DC converter contains a jumper (E1) to remotely enable/disable power. The jumper is shipped in place to enable power. Remove the jumper to allow remote enable/disable or to turn scanner on/off.

Dimensions

24 VDC/DC CONVERTER



OMRON

OMRON ELECTRONICS LLC.
 One East Commerce Drive
 Schaumburg, IL 60173
1-800-55-OMRON

OMRON ON-LINE
 Global - <http://www.omron.com>
 USA - <http://www.omron.com/oei>
 Canada - <http://www.omron.com/oci>

OMRON CANADA, INC.
 885 Milner Avenue
 Scarborough, Ontario M1B 5V8
416-286-6465